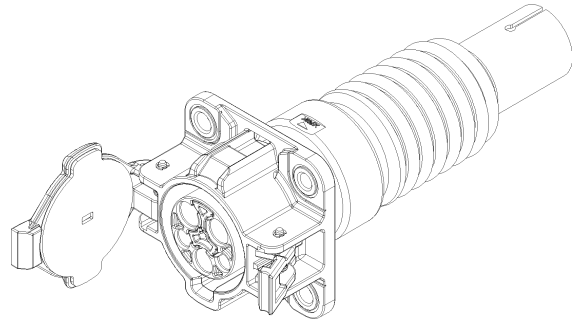
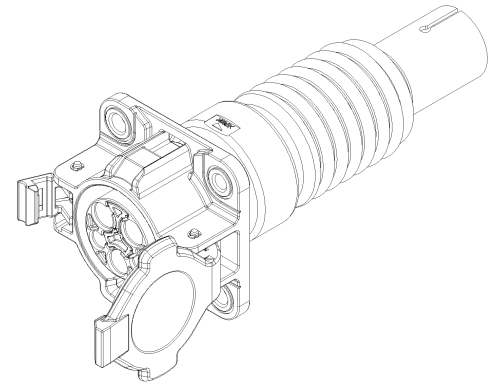
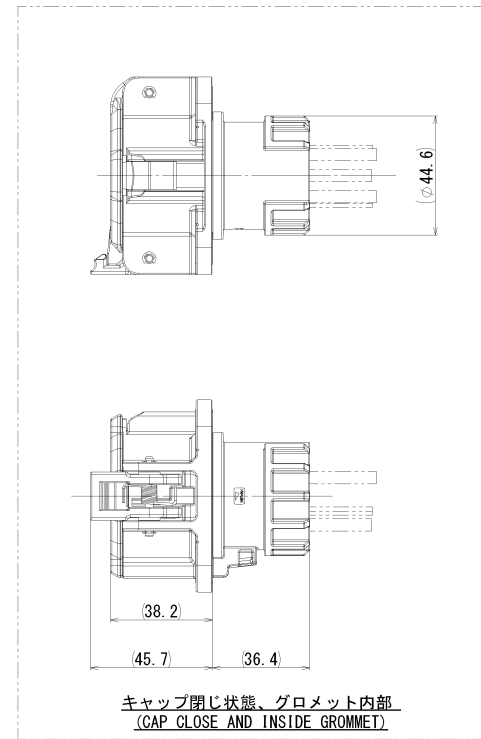
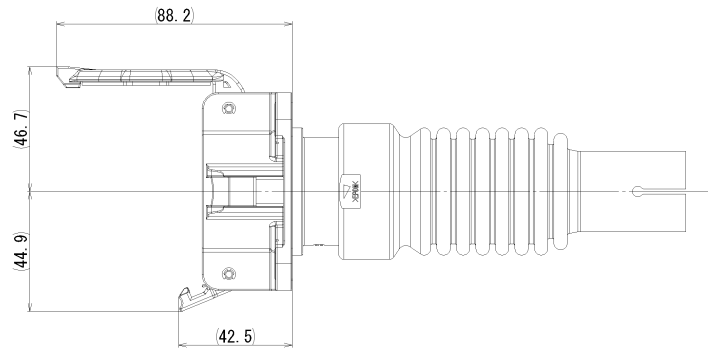
	
定格電圧 (RATED VOLTAGE)	POWER	AC 280V	AC 250V
	SIGNAL	DC 12V 以下 (DC 12V OR LESS)	
定格電流 (RATED CURRENT)	POWER	40A	
	SIGNAL	2A 以下 (2A OR LESS)	
使用温度範囲 (RANGE OF OPERATION TEMPERATURES)		-40 TO +60°C	



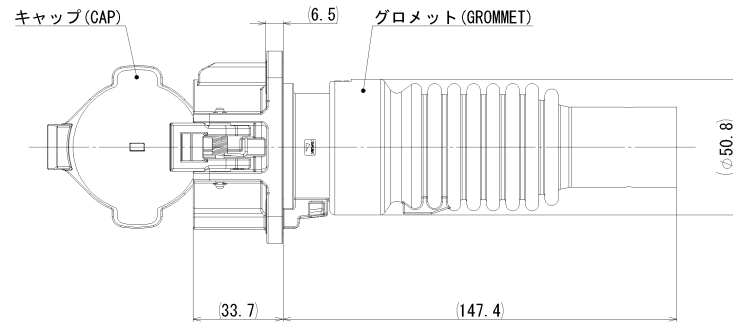
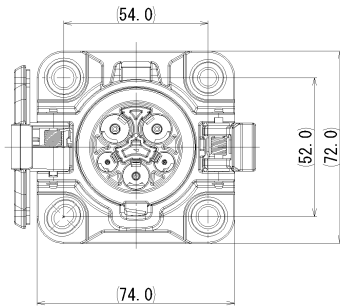
キャップ左開き仕様  
(SPECIFICATIONS OF CAP THAT OPENS LEFTWARD)



キャップ右開き仕様  
(SPECIFICATIONS OF CAP THAT OPENS RIGHTWARD)



キャップ閉じ状態、グロメット内部  
(CAP CLOSE AND INSIDE GROMMET)



SCALE 1:1 ANGLE 3

NAME TYPE1 AC VEHICLE INLET (T1L-02)

YAZAKI CORPORATION